

Series PT

BASIC CONSTRUCTION – SERIES PT:

- Field-tested critical components specifically selected to operate reliably in temperature extremes below 0°F up to 200° F. Consult factory for the complete temperature specification on the various PT transmitters available.
- Operate with foot, knee or hand
- 100,000+ cycle life under full mechanical and thermal loads
- Tubing connectors designed for use with 1/8" or 3/16" I.D. flexible plastic or rubber tubing

TYPICAL APPLICATIONS:

Series PT transmitters provide air pressure needed to activate remote air switches which turn a variety of electrical devices on/off including motors, lights, pumps, air blowers, or other associated equipment.

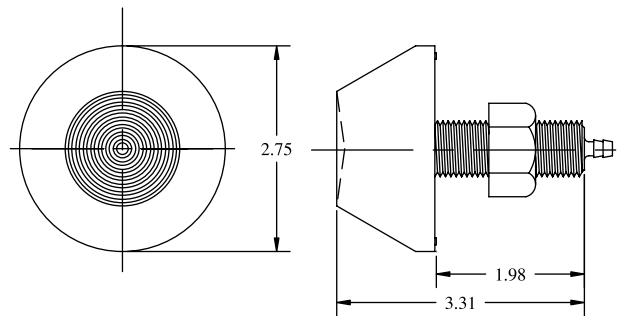
AVAILABLE FEATURES – SERIES PT:

- Flexible abrasion & UV resistant air transmitters
- Four Styles Available:
 - Heavy duty foot pedal
 - Light duty foot pedal
 - Heavy duty bulb type
 - Light duty bulb type
- Tubing attached or sold separately
- Optional colors available (consult factory)
- Optional bright yellow foot shroud
- Optional aluminum base plate

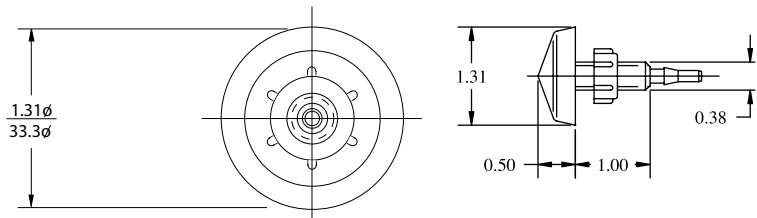
DESIGN FLEXIBILITY:

Tecmark's manufacturing philosophy is unique. In an effort to provide you with a product that is most suited to your application, Tecmark® transmitters incorporate interchangeable components for the ultimate in design flexibility. This means a product tailored to your needs without the high price and long lead times associated with custom manufacturing. If you have a need and don't see the features you require, please ask us!

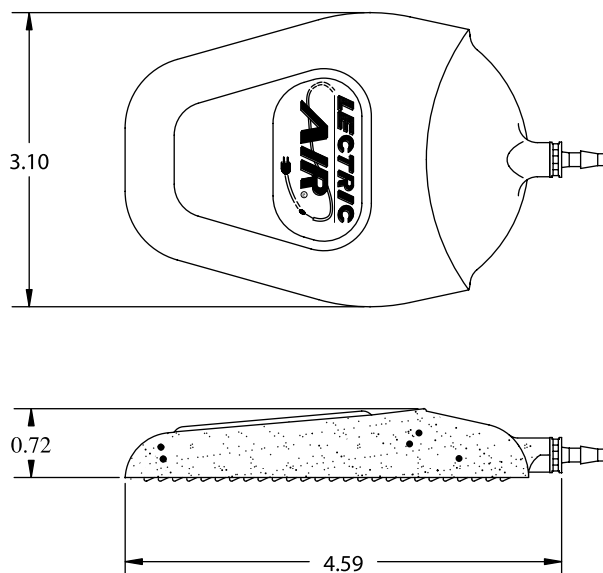
HEAVY DUTY BULB



LIGHT DUTY BULB



LIGHT DUTY FOOT PEDAL



HEAVY DUTY FOOT PEDAL

